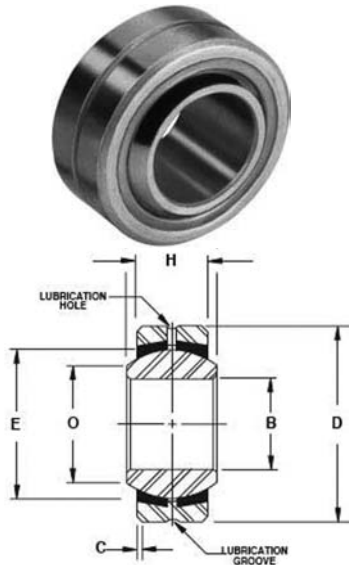


BEARINGS

SPHERICAL BEARINGS SERIES LS, LSS, LHA



SPECIFICATIONS:

LS SERIES

Outer Member: Carbon Steel, with protective coating for corrosion resistance on all surfaces exposed after installation.

Ball: SAE 52100 Steel, Heat Treated.

Inserts: Brass.

LSS SERIES

Outer Member: 4130 or 4340 Alloy steel, heat treated, with protective coating for corrosion resistance on all surfaces exposed after installation.

Ball: 52100 Alloy steel, heat treated, chrome plated.

Inserts: Copper alloy

LHA SERIES

Outer Member: 4130 or 4340 Alloy steel, heat treated, with protective coating for corrosion resistance on all surfaces exposed after installation.

Ball: 52100 Alloy steel, heat treated, chrome plated.

Spherical Bearing No.	Dimensions							Max Static Radial load In Pounds Approx.	Approx. Weight in Pounds	Price Each
	Bore	Outside Diam.	Ball Width	Housing Width	Chamfer	Ball Diameter	Ball Flat Diameter			
	B +.0000 -.0005	D +.0000 -.0005	W +.000 -.005	H +.000 -.005	C +.000 -.005	E REF	O REF			
LS-3	.1900	.6250	.281	.187	.016	.406	.293	2960	.02	\$21.75
LS-4	.2500	.7500	.375	.281	.016	.515	.354	5245	.04	\$23.50
LS-5	.3125	.8750	.437	.313	.016	.625	.447	6550	.05	\$34.50
LS-6	.3750	1.0000	.500	.375	.016	.718	.517	8605	.08	\$27.75
LS-8	.5000	1.3125	.687	.531	.044	.937	.637	15600	.18	---
LSS-2	.1650	.4687	.250	.187	.235	.020	11/32	2,000	.01	---
LSS-3	.1900	.5625	.281	.218	.020	.406	.293	2750	.02	\$66.75
LSS-4	.2500	.6562	.343	.250	.022	.500	.364	4200	.02	\$43.85
LSS-5	.3125	.7500	.375	.281	.022	.562	.419	5800	.03	\$38.50
LSS-6	.3750	.8125	.406	.312	.032	.625	.475	7150	.04	\$43.50
LSS-8	.5000	1.000	.500	.390	.032	.781	.600	11200	.07	\$23.70
LHA-2	.1650	.4687	.250	.187	.020	.343	.235	4400	.01	\$28.50
LHA-3	.1900	.5625	.281	.218	.020	.406	.293	6480	.02	\$48.65
LHA-4	.2500	.6562	.343	.250	.022	.500	.364	10000	.02	\$48.65
LHA-6	.3750	.8125	.406	.312	.032	.625	.475	18750	.04	\$134.60
LHA-8	.5000	1.000	.500	.390	.600	.032	25/32	26,900	.07	---

The allowable static axial loads are one-fourth of radial loads given above.

AP



TIMKEN WHEEL BEARINGS

Part No.	Description	Price
04-02054	Bearing Cup 13830	\$47.50
04-02055	Bearing Cup LM29710	\$13.50
04-02164	Bearing Cone 07100	\$24.90
04-02165	Bearing Cup 07196	\$11.95
04-02166	Bearing Cup LL217810	\$349.00
04-02167	Bearing LL217849	\$243.95
04-02168	Bearing Cup LM67010	\$7.90
04-02169	Bearing Cone LM67048	\$16.50
04-02224	Bearing A-4059S .59 ID New Surplus	\$9.75
04-02229	Bearing 07204	\$29.95
04-02230	Bearing 08118	\$94.75
04-02231	Bearing 19150	\$69.80
05-29749	Bearing LM29749	\$58.75
06-00607	Bearing A2126	\$21.75
06-00642	Cup / Race LM11910	\$5.90
06-03300	Azusa 6" Alum. Timken Bearing	\$59.50
04-03400	Azusa 6" Alum. 3/4 Timken Bearing	\$149.95
08125	Bearing 08125	\$51.85
8231	Bearing Cup 08231	\$22.85
13286	Bearing Cone A-4050	\$53.85
13889	Bearing 13889	\$46.50



SYMMCO BEARINGS

Sintered Bronze Oil-Impregnated Special Flanged Bearings.

Description	Length	Symmco No.	Part No.	Price
SF610-3 Bushing	3/16	SF-610-3	04-00098	\$0.19
SF-610-8 Bearing	1/2	SF-610-8	04-01570	\$0.79
SF-610-8 Bearing	3/8	SF-1014-6	05-1014-6	\$0.38
SF-812-3 Bearing	3/8	SF-812-3	05-03569	\$1.99
SF-2024-8 Bearing	1/2	SF-2024-8	04-00004	\$1.10
SF-4084-20 Bearing	1-1/4	SF-4048-20	04-00159	\$4.35
SF-4084-8 Bearing	1/2	SF-4048-8	04-02171	\$3.60