

BEARINGS

UNIFLON LINED



HFE M SERIES

SPECIFICATIONS:

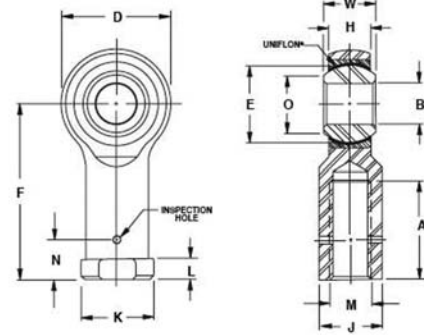
Outer Member: Carbon steel, magnetic particle inspected, with protective coating for corrosion resistance.

Ball: 52100 Alloy steel, heat treated, chrome plated.

Race: Aluminum.

Liner: Self lubricating UNIFLON.

The letter "L" indicates Left Hand thread.



Rod End No.	Dimensions														Max. Static Radial Load (lbs.)	Approx. Wt. (lbs.)	Price Each
	Bore	Ball Width	Housing Width	Ball Flat Dia.	Head Dia.	Length to ctr. of ball	Overall Length	Other Dimensions									
	B	W	H	O	D	F	G	A	K	J	N	L	M				
	+0.015 -0.005	+0.000 -0.005	+0.005 -0.005		+0.010 -0.010	+0.010 -0.010	+0.010 -0.010	Min	+0.010 -0.010	+0.010 -0.010	+0.005 -0.005	+0.010 -0.010	Ball Diam.	Class 3B			
HFE-3M														10-32 UNF	865	.03	\$62.75
HFLE-3M	.1900	.312	.250	.306	.625	1.062	1.375	.562	.406	.312	.312	.187	.437				---
HFE-4M														1/4"-28 UNF			\$55.75
HFLE-4M	.2500	.375	.281	.355	.750	1.312	1.687	.750	.468	.375	.312	.187	.515		1,550	.05	\$99.50
HFE-5M														5/16"-24 UNF			---
HFLE-5M	.3125	.437	.344	.447	.875	1.375	1.812	.750	.500	.437	.406	.187	.625		2,080	.08	---
HFE-6M														3/8"-24 UNF			---
HFLE-6M	.3750	.500	.406	.517	1.000	1.625	2.125	.937	.687	.562	.469	.250	.718		2,950	.12	---
HFE-7M														7/16"-20 UNF			---
HFLE-7M	.4375	.562	.437	.586	1.125	1.812	2.375	1.062	.750	.625	.531	.250	.812		3,160	.17	---
HFE-8M														1/2"-20 UNF			\$87.75
HFLE-8M	.5000	.625	.500	.698	1.312	2.125	2.781	1.187	.875	.750	.594	.250	.937		4,925	.26	---



ROD ENDS FEMALE THREADED

HFX EXTRA CAPACITY SERIES

SPECIFICATIONS:

Outer Member: SAE 4130 steel heat treated to 175,000 PSI Cadmium Plated.

Ball: SAE 52100 Steel, Heat Treated, Chrome Plated.

Inserts: Aluminum Bronze.

"L" in rod end number indicates left hand thread.

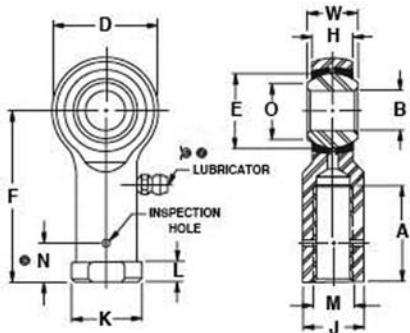
"G" in the rod end number indicates lubricator.

All rod ends in this series are magnafluxed, and are stamped with the letter "M".

This series is equipped with lubricators as shown.

Add suffix "FG" to indicate flush type lubricator is required. Example: HFX-4FG.

Lubricator (G) (FG) available with minimum qty. required. Please call for pricing.



Rod End No.	Dimensions														Max. Static Radial Load (lbs.)		Approx. Weight (Lbs.)	Price Each
	Bore	Ball Width	Housing Width	Ball Flat Dia.	Head Dia.	Length to ctr. of ball	Overall Length	Other Dimensions										
	B	W	H	O	D	F	G	A	K	J	N	L	Ball Diam.	M				
	+0.015 -0.005	+0.000 -0.005	+0.005 -0.005		+0.010 -0.010	+0.010 -0.010	+0.010 -0.010	Min	+0.010 -0.010	+0.010 -0.010	+0.005 -0.005	+0.010 -0.010		Class 3B				
HFX-4G	.2500	.375	.281	.355	.750	1.312	1.687	.750	.468	.375	.312	.187	.515	1/4"-28	3,260	6,680	.06	\$19.95
HFX-5G	.3125	.437	.344	.447	.875	1.375	1.812	.750	.500	.437	.406	.187	5/8	5/16"-24 UNF	4,920	8,410	.08	---
HFXL-5G																		---
HFXL-6G	.3750	.500	.406	.517	1.000	1.625	2.125	.937	.687	.562	.469	.250	23/32 UNF	3/8"-24	7,240	11,160	.14	---
HFX-7G	.4375	.562	.437	.586	1.125	1.812	2.375	1.062	.750	.625	.531	.250	13/16	7/16"-20	7,620	13,660	.18	---
HFXL-7G														UNF				\$78.95
HFX-8G	.5000	.625	.500	.698	1.312	2.125	2.781	1.187	.875	.750	.594	.250	15/16	1/2"-20	11,920	19,340	.29	---
HFXL-8G														UNC				---