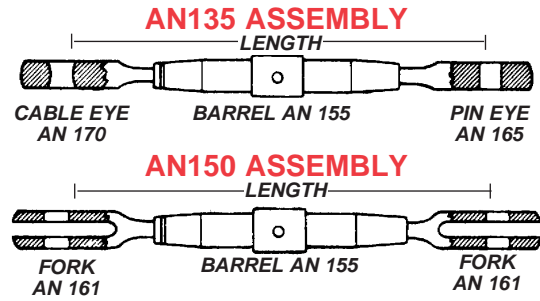
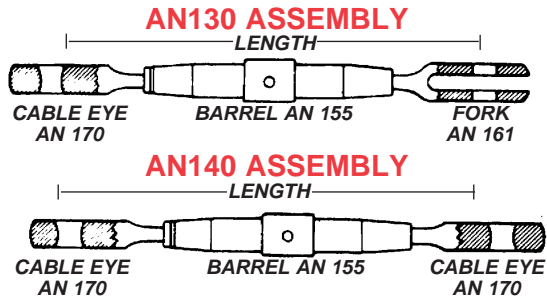


TURNBUCKLE COMPONENTS

TURNBUCKLES COMPLETE ASSEMBLIES

Complete turnbuckle assemblies consist of a brass barrel and two steel ends, one with right-hand thread and the other with left-hand thread. Order by proper AN number and add dash number and a letter to indicate length and strength required.



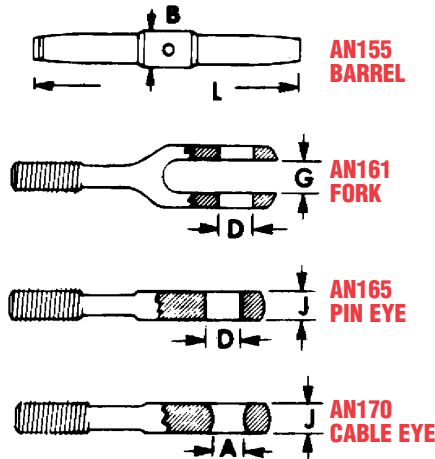
AN 146 Assembly consists of 1 - AN 155 barrel, 1-AN161 Fork and 1 MS21260 Turnbuckle End.

Complete turnbuckle assemblies consist of a brass barrel and two steel ends, one with right-hand thread and the other with left-hand thread. Order by proper AN number and add dash number and a letter to indicate length and strength required.

AP

Part No.	Length	Strength (Pounds)	Price	Part No.	Length	Strength (Pounds)	Price	Part No.	Length	Strength (Pounds)	Price
AN130-8S	4-1/2	800	\$35.75	AN135-32S	4-19/32	3200	\$32.50	AN140-46L	8	4600	\$62.75
AN130-16S	4-1/2	1600	\$30.00	AN135-32L	8-7/64	3200	\$37.50	AN140-61L	8	6100	\$126.95
AN130-16L	8	1600	\$37.50	AN135-46S	4-21/32	4600	\$55.75	AN150-8S	4-1/2	800	\$36.75
AN130-22S	4-17/32	2200	\$33.25	AN135-46L	8-5/32	4600	\$61.75	AN150-16S	4-1/2	1600	\$33.50
AN130-32S	4-19/32	3200	\$36.25	AN135-61L	8-9/32	6100	\$152.95	AN150-16L	8	1600	\$43.50
AN130-32L	8-7/64	3600	\$43.50	AN140-8S	4-1/2	800	\$34.50	AN150-22S	4-17/32	2200	\$37.00
AN130-46S	4-21/32	4600	\$55.75	AN140-16S	4-1/2	1600	\$26.50	AN150-22L	8-1/32	2200	\$45.75
AN130-46L	8-5/32	4600	\$60.50	AN140-16L	8	1600	\$30.50	AN150-32S	4-19/32	3200	\$41.00
AN130-61L	8-9/32	6100	\$135.95	AN140-22S	4-1/2	2200	\$30.50	AN150-32L	8-7/64	3200	\$49.75
AN135-8S	4-1/2	800	\$34.50	AN140-22L	8	2200	\$37.50	AN150-46S	4-21/32	4600	\$54.00
AN135-16S	4-1/2	1600	\$26.50	AN140-32S	4-1/2	3200	\$32.50	AN150-46L	8-5/32	4600	\$58.25
AN135-16L	8	1600	\$30.75	AN140-32L	8	3200	\$37.25	AN150-61L	8-9/32	6100	\$153.95
AN135-22S	4-17/32	2200	\$30.50	AN140-46S	4-1/2	4600	\$56.00	AN150-80L	8-5/16	8000	\$143.95

TURNBUCKLE PARTS DIMENSIONS



The "R" or "L" following the dash number designates "right" or "Left." The "S" or "L" (2nd letter following dash number) indicates "short" or "long." AN 161 Fork and AN 170 Cable Eye are available with either right or left-hand thread.

Dash No.	Thread Size	AN 155 Barrel		AN 161 Fork		AN 165 Pin Eye		AN170 Cable Eye	
		"L"	"B"	"G"	"D"	"J"	"D"	"J"	"A"
-8S	6-40	2-1/4	.250	.109	.188	.125	.188	.125	.188
-16S	10-32	2-1/4	.344	.156	.188	.1625	.188	.188	.219
-16L	10-32	4	.344	.156	.188	.1625	.188	.188	.219
-22S	1/4-28	---	---	.187	.188	.188	.188	.188	.219
-22L	1/4-28	---	---	.187	.188	.188	.188	.188	.219
-32S	1/4-28	2-1/4	.438	.218	.250	.219	.250	.219	.281
-32L	1/4-28	4	.438	.218	.250	.219	.250	.219	.281
-46S	5/16-24	2-1/4	.500	.250	.313	.281	.313	.281	.313
-46L	5/16-24	4	.500	.250	.313	.281	.313	.281	.313
-61L	3/8-24	---	---	.270	.375	.281	.375	.281	.344
-80L	3/8-24	4	.625	.312	.375	.328	.375	.328	.375

TURNBUCKLE PARTS PRICES

AN155 Dash No.	Barrel Price Each	TURNBUCKLE ENDS			
		Dash No.	Price Each		
			AN 161	AN 165	AN 170
-8S	\$9.85	-8RS	\$13.75	\$12.50	\$12.50
-8S	\$9.85	-8LS	\$13.50	\$12.50	\$12.50
-16S	\$7.90	-16RS	\$12.95	\$9.50	\$9.50
-16S	\$7.90	-16LS	\$12.95	\$9.50	\$9.50
-16L	\$9.50	-16RL	\$17.50	\$10.80	\$10.40
-16L	\$9.50	16LL	\$16.85	\$10.90	\$10.90
		-22RS	\$13.65	\$10.85	\$10.50
		-22LS	\$13.85	\$10.85	\$10.50
		-22RL	\$17.85	\$13.45	\$15.95
		-22LL	\$17.85	\$13.50	\$13.50

AN155 Dash No.	Barrel Price Each	TURNBUCKLE ENDS			
		Dash No.	Price Each		
			AN 161	AN 165	AN 170
-32S	\$9.50	-32RS	\$15.65	\$11.50	\$11.50
		-32LS	\$15.85	\$11.50	\$11.50
-32L	\$10.50	-32RL	\$19.80	\$13.65	\$13.50
		-32LL	\$19.80	\$13.65	\$13.65
-46S	\$12.85	-46RS	\$21.70	\$21.60	\$21.50
		-46LS	\$19.85	\$20.50	\$21.65
-46L	\$13.50	-46RL	\$22.65	\$23.85	---
		-46LL	\$23.80	\$23.70	\$24.70
-61L	Use	-61RL	\$55.75	\$68.00	\$42.50
6.95	-80L	-61LL	\$59.75	\$45.65	\$42.50
-80L	\$26.75	-80RL	\$49.90	---	---
		-80LL	\$51.75	---	---



IN-LINE CABLE TENSIONER

The in-line cable tensioner can be installed instead of turnbuckle barrels. The assembly provides a solid load transfer, while maintaining cable tension in the event of a slack control cable to avoid jamming, or derailing. Use MS21256-1 locking clip for retention. The tensioner is 6-3/16" long in its installed configuration, taking up to .7" of slack and uses 1/4-28 thread (one end RH, other end LH). Breaking strength 2,100lbs. P/N 05-12750 \$359.00